



F001

Description

The F001 is a precision machined, piston type flow switch that provides unsurpassed durability and reliability. Its all brass or 316 stainless steel body is rated to 1000 psig with its internal piston the only moving part. Supplied with ¼" NPT inlet and outlet ports, the F001 can be factory calibrated for water flow switch settings as low as 0.1 GPM and up to 1.0 GPM. It can also be supplied with special fluid calibrations in viscosities up to 500 SSU.

Principle of Operation

A spring loaded magnetic piston inside the pressure body bore is displaced by flow through the ports actuating a hermetically sealed reed switch in a separate chamber in the pressure body. The spring return de-actuates the switch when the flow decreases.

Key Features

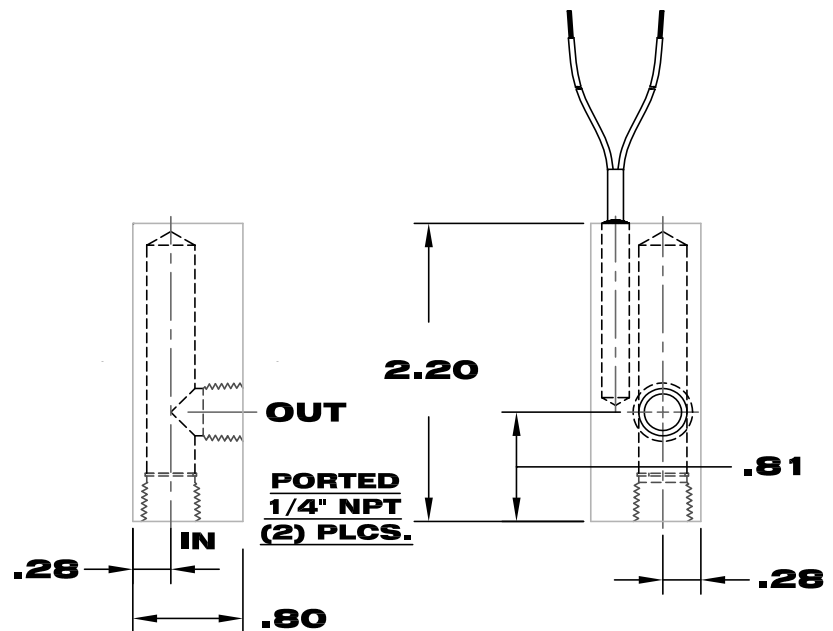
- One moving part: the piston
- Broad media compatibility
- Inherently reliable
- No bellows, diaphragms or mechanical linkages to wear, bind or cause in-service problems

Switch Type

- Standard: 50VA SPST select either NO or NC operation
- Optional: 30VA or 100VA SPDT

Flow Settings (GPM Water)

- .10, .25, .50, .75, 1.0, 1.5 (at 70°F)



Specifications						
Series	Mounting	Materials	Maximum Viscosity	Temperature	Pressure	P/N
F001	¼" NPT	Brass	500 SSU	-40° to +300° F	1000 psig	F001-0201-0103
		316 Stainless	500 SSU	-20° to +300° F	1000 psig	F001-0208-0803

Bulletin: IS-310.0
Effective: December 2009