



L505

Key Features

- Requires no electricity
- Low cost
- Compact and self contained
- High contrast, easy to read graduated steel tape
- Available in 1", 2", and 3" NPT and flange mounting styles
- Standard temperature to +180° F (+82° C), high temperature designs to +300° F (+148° C)
- Pressure rating to 750 psig (51 bar)
- "Closed" measuring for hazardous liquids

Description

The L505 is a simple and economical liquid level indicator for quick, continuous readings in remote and mobile storage tanks. Requiring no electricity, the L505 provides an accurate and reliable visual indication within 1/16 of an inch. Available in brass, 316 stainless steel or PVC stem and mounting materials with either a Buna or stainless steel float, it comes in a variety of mounting sizes and measuring lengths from 6 inches to 6 feet.

Principle of Operation

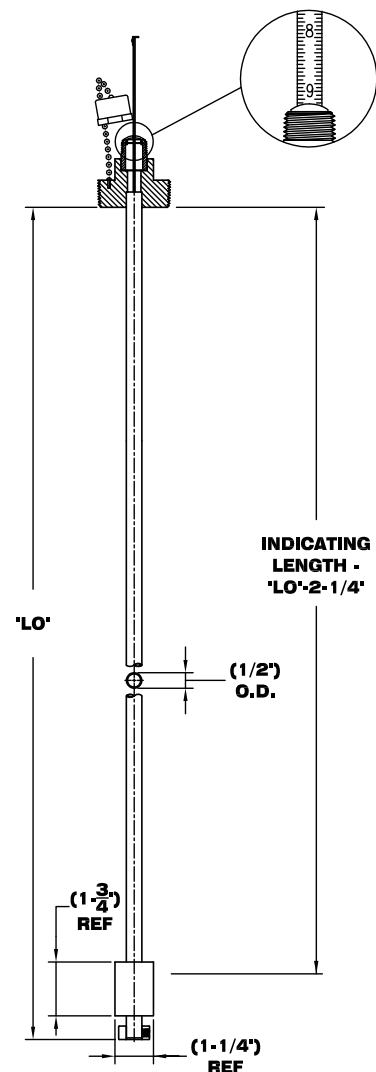
The sliding steel tape magnetically interlocks with the level position of the float. Level readout is obtained by sliding the tape out of the tube and reading the aligning graduation mark where the interlock is felt.

Environmental

- Process Temperature:
Buna/Brass: -40° to +180° F (-40° to +82° C)
Stainless Steel: -40° to +300° F (-40° to +148° C)
- Process Pressure:
Buna/Brass: 150 psig (10 bar)
Stainless Steel: 750 psig (51 bar)

Applications

- Fuel Tanks
- Remote Water & Chemical Storage
- Hazardous Liquid Storage
- Mobile & On-Road Tanks & Drums



Bulletin: IS-193.0
Effective: December 2009