



**L071**

### Key Features

- Available to 5000 psig
- All stainless steel
- May be used Normally-Open or Normally-Closed
- Interface capabilities
- UL, FM approved
- Operates on falling or rising level
- 15-amp microswitch

### Product Specifications

Process Connection: 1½", 2" NPT Standard (other connections available)

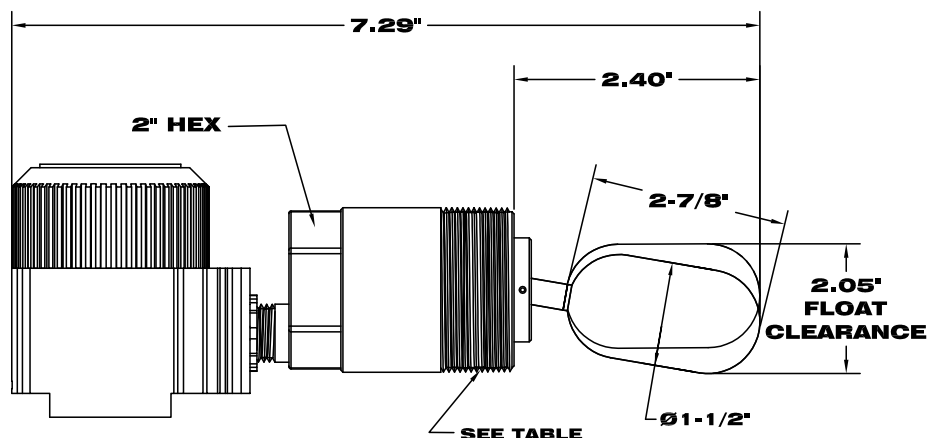
Electrical Rating: SPDT, 15-amp (125, 250, 480 VAC) ½ HP 125 VAC, ¼ HP 250 VAC, 1/2 A, 125 VDC, 1/4 A, 250 VDC

### Description

The L071 & L071HP are horizontally mounted float switches to monitor liquid levels in hazardous atmospheres with a 15-amp, SPDT snap acting switch. With a pressure body made of 316 stainless steel, the high pressure design features and optional titanium float for high buoyancy at pressures up to 5000 psig.

### Principle of Operation

The L071 Series uses a magnetically interlocked armature that actuates a mechanical spring loaded switch located in a NEMA 7/9 enclosure.



Specifications						
Series	Mounting	Materials	SG	Temperature	M/P	P/N
L071	1½" NPT	316 Stainless steel	.40	-40° to +300°F	1500 psig	L070-0808-3011
	2" NPT				1500 psig	L070-0908-3011
	1½" 150# Flange(L071 only)				175 psig	L070-7208-3011
	2" 150# Flange				175 psig	L070-7308-3011
	2½" 150# Flange				175 psig	L070-7408-3011
	3" 150# Flange				175 psig	L070-7508-3011
	2" 300# Flange				455 psig	L070-8408-3011
	2½" 300# Flange				455 psig	L070-8508-3011
	3" 300# Flange				455 psig	L070-8608-3011
L071HP	2" NPT	Stainless steel Ti Float	.40	-40° to +300°F	5000 psig	L071HP-0908-1311

L071 also available in other flange sizes and mounting. Both series are available with optional hastelloy float and body material. Consult factory for details.

Bulletin: IS-146.0  
Effective: December 2009