



L090

Description

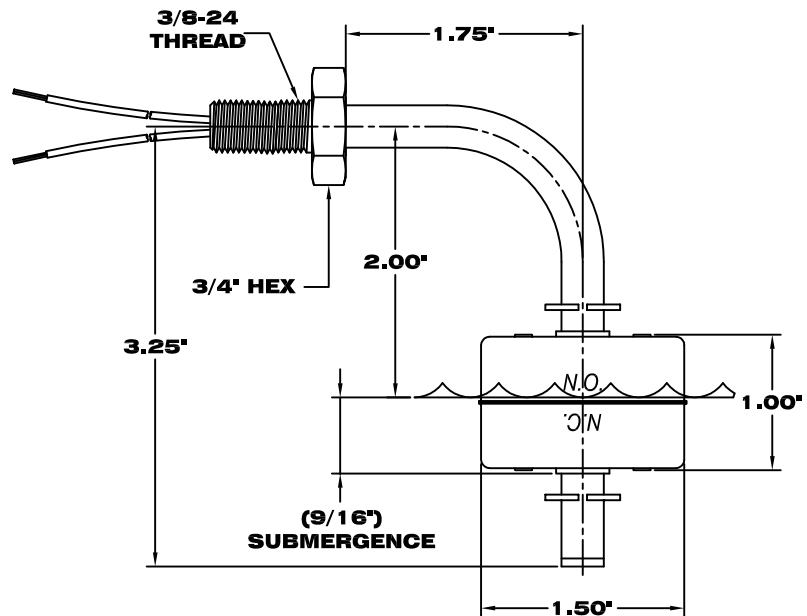
The "bent stem" L090 mounts less than 3 inches into the side of the tank and detects liquid levels with specific gravities as low as .45. It is available with stainless steel or Buna-N floats, brass or stainless stem mounts and a choice of 1/8" NPT or 3/8"-24 straight threads for installation in a mounting boss or directly through the tank wall.

Principle of Operation

A hermetically sealed reed switch is actuated by a magnet inside the float. As the float rises and falls, the magnetic field passing the switch within the stem causes the switch to either close or open.

Key Features

- No-leak construction
- Side-wall mounting: internal
- Broad media compatibility
- Operates on falling or rising level
- Selectable to Normally-Open or Normally-Closed operation by inverting the float
- Optional floats, mounts, and configurations available
- 50 VA SPST switch (standard)



Specifications						
Series	Mounting	Stem/Float Materials	SG	Temperature	Pressure	P/N
L090	1/8" NPT	Brass/Buna	.80	-40° to +180° F	150 psig	L090-0101-2003
	1/8" NPT	SS/Buna	.80	-40° to +180° F	150 psig	L090-0108-2003
	1/8" NPT	SS/SS	.70	-40° to +300° F	150 psig	L090-0108-0803
	3/8" - 24	Brass/Buna	.80	-40° to +180° F	150 psig	L090-1801-2003
	3/8" - 24	SS/Buna	.80	-40° to +180° F	150 psig	L090-1808-2003
	3/8" - 24	SS/SS	.70	-40° to +300° F	150 psig	L090-1808-0803

SG refers to recommended minimum liquid specific gravity.

Bulletin: IS-140.0
Effective: December 2009