



**L070/L070HP**

### Key Features

- Available to 5000 psig
- All stainless steel
- May be used Normally-Open or Normally-Closed
- Interface capabilities
- Reliable reed switch action
- UL, FM, CSA approved
- Operates on falling or rising level
- Available with on-board 5 amp DPDT relay

### Product Specifications

Process Connection: 1½", 2" NPT Standard (other connections available)

Electrical Rating: 100 VA SPST (240V AC/DC maximum resistive)



### Description

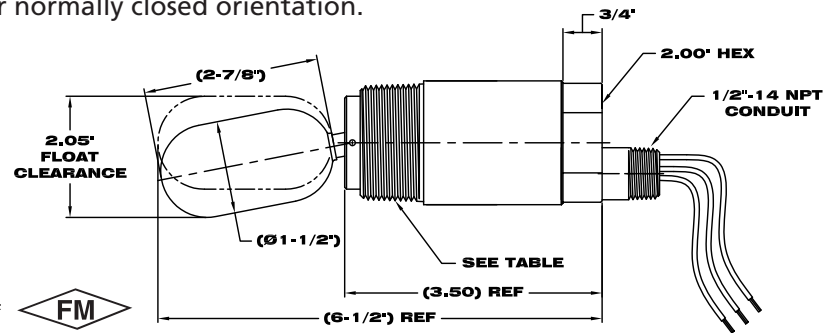
The horizontally mounted L070/L070HP are rugged, hazardous duty level switches providing a safe, isolated switch closure for monitoring high and low liquid levels. With all stainless steel construction and ultra-light float, the L070 series provide high performance in most any media and can be adapted to sense dissimilar fluid interfaces within a 0.1 differential.

L070 and L070HP Series are magnetic reed switch activated devices with 100 VA power rated switches. The L070HP Series also features a high pressure titanium float rated to 5000 psig.

FM approved for Class I, Division 1, Groups B, C, D, E, F, & G hazardous locations, both designs have standard ½" NPT conduit connections and can be installed for either normally open or normally closed switching.

### Principle of Operation

The L070 Series employs an encapsulated magnet in the float assembly that actuates a hermetically sealed reed switch in a separate chamber within the switch housing. The L070 may be installed in either a normally open or normally closed orientation.



Specifications						
Series	Mounting	Materials	SG	Temperature	Max. Pressure	P/N
L070	1½" NPT	316 Stainless Steel	.40	-40° to +300° F	1500 psig	L070-0808-3004
	2" NPT				1500 psig	L070-0908-3004
	2" 150# Flange				175 psig	L070-7308-3004
	2½" 150# Flange				175 psig	L070-7408-3004
	3" 150# Flange				175 psig	L070-7508-3004
	2" 300# Flange				455 psig	L070-8408-3004
	2½" 300# Flange				455 psig	L070-8508-3004
	3" 300# Flange				455 psig	L070-8608-3004
L070HP	2" NPT	Stainless Steel Ti Float	.40	-40° to +300° F	5000 psig	L071HP-0908-1304

Series L070 also available in other flange sizes and mounting. Both series are available with optional hastelloy float and body material. Consult factory for details.

Bulletin: IS-135.0  
Effective: December 2009