



**L003**

**Key Features**

- Ideal for shallow tanks
- Broad media compatibility
- Selectable to Normally-Open or Normally-Closed by inverting the float
- 50 VA SPST switch (standard)

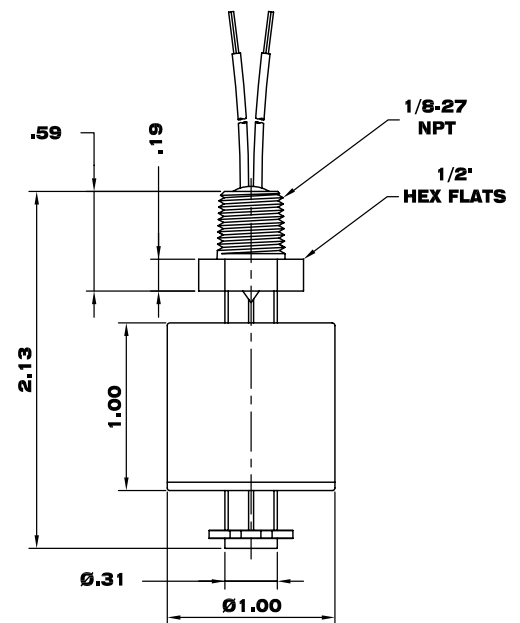


**Description**

Compact and available in a wide variety of materials including polypropylene, PVDF, PVC, Nylon and Buna, the L003 is a versatile, vertically mounted switch designed and priced for a full range of OEM and special purpose level control applications. Available in 1/8" NPT or 3/8"-24 mounting options, the L003 can be easily converted from normally open to normally closed by inverting the float. Ideal for shallow tanks, the L003 has a larger displacement than the sub-compact model and its large selection of engineered plastic materials make it suitable for unlimited types of media including water-based, oil-based, low density and ultra pure liquids.

**Principle Of Operation**

A hermetically sealed reed switch is actuated by a magnet inside the float. As the float rises and falls, the magnetic field passing the switch within the stem causes the switch to either open or close.



Specifications						
Series	Mounting	Stem/Float Materials	SG	Temperature	Pressure	P/N
L003 Compact, Low-Cost Switches	1/8" NPT	Solid/PP	.90	-40° to +150° F	150 psig	L003-0102-0303
	3/8" - 24	Solid/PP	.90	-40° to +150° F	150 psig	L003-1802-0303
	1/8" NPT	Hollow/PP	.70	-40° to +150° F	50 psig	L003-0102-0203
	3/8" - 24	Hollow/PP	.70	-40° to +150° F	50 psig	L003-1802-0203
	1/8" NPT	PVC/PVC	.90	-40° to +140° F	50 psig	L003-0105-0503
	3/8" - 24	PVC/PVC	.90	-40° to +140° F	50 psig	L003-1805-0503
	1/8" NPT	PVDF/PVDF	1.1	-40° to +176° F	50 psig	L003-0104-0403
	3/8" - 24	PVDF/PVDF	1.1	-40° to +176° F	50 psig	L003-1804-0403
	1/8" NPT	Nylon/Buna	.80	-40° to +180° F	150 psig	L003-0118-2003
3/8" - 24	Nylon/Buna	.80	-40° to +180° F	150 psig	L003-1818-2003	

SG refers to recommended minimum liquid specific gravity

Bulletin: IS-120.0  
Effective: December 2009